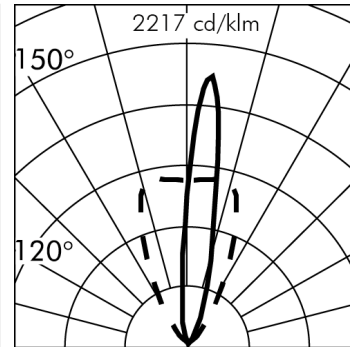
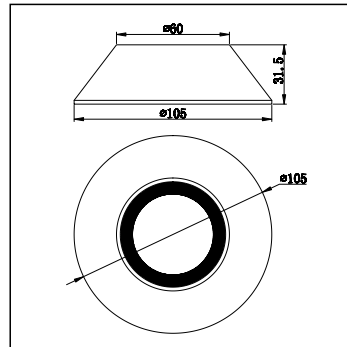
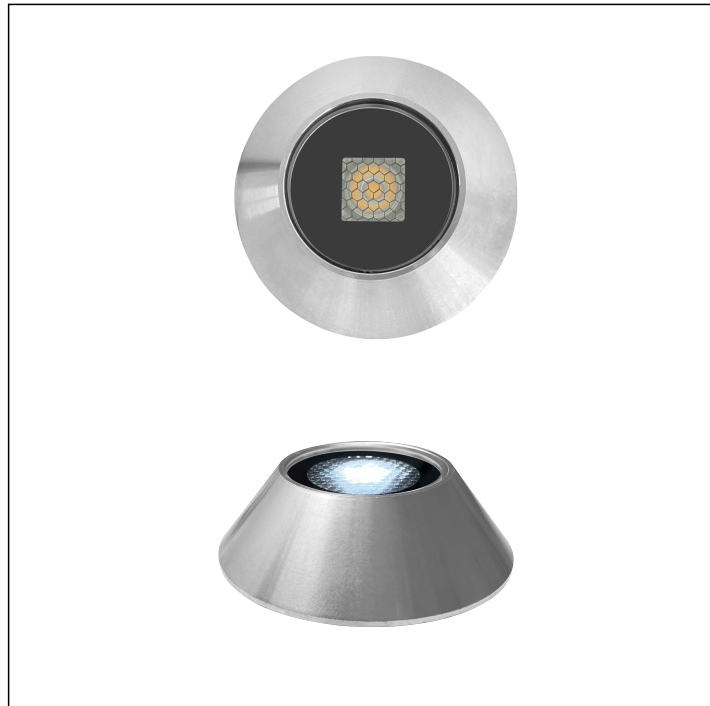




LT-BM-316-5W



h(m)	E(lx) 3000K			
10.0	1	1	1	0
8.0	2	2	1	1
6.0	5	5	3	2
4.0	13	13	5	2
2.0	30	17	1	0

0.5 m 0 1 2 3 (m)

Version is available on request.

LT-BM-316-5W

1 module LED 4000K 450lm 5W Max. Surface mounted up-light

Light Source Technical Data

Light source type:	LED
Colour temperature:	4000K
Rated luminaire luminous flux:	450lm
Rated input power:	5W
Luminaire efficacy:	90lm/W
Color Rendering Index:	CRI 85
Standard Deviation Color Matching:	MacAdam step 3
Beams available on request:	8/11/15/30/45/66/40*12°

Temperature and life time Technical Data

LED Lifetime:	L80 B10 70.000h Ta 25°C
	L80 B10 50.000h Ta 40°C
Lifespan of the LUMINAIRE:	min. 50.000h Ta 40°C
Performance ambient temperature:	Tq 25°C
Operating ambient temperature range:	da -20°C a +50°C
Storage temperature range:	da -20°C a +60°C

*Photometric measured using WHITE LED 3000K



Technical Installation Data

Electrical insulation class:	III
Protection class IP:	IP66
Mechanical resistance:	IK08
Weight:	1Kg
Power cable:	1m - H07RNF

Installation options

Accessories:	1.GS Ground Stake1.0 Material: PC
	2.Honeycomb louvre built into the lighting fixture

