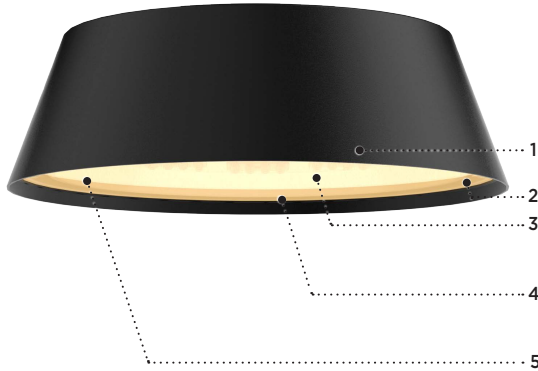


CEILING SURFACE/PENDANT/CATENARY/WALL MOUNT/POLE MOUNT/POST TOP

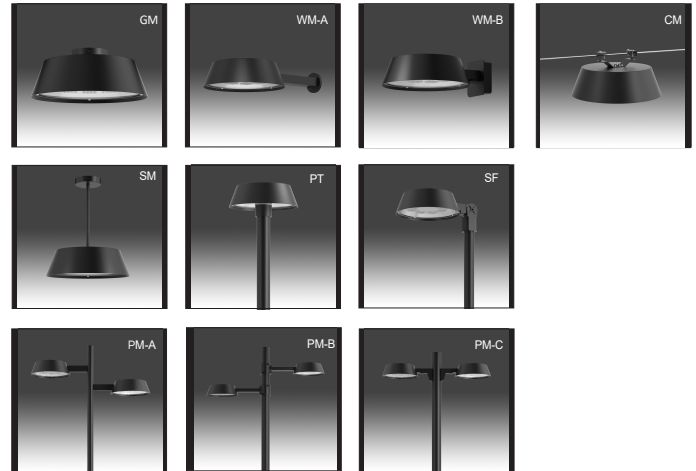
TYPE: _____ QUANTITY: _____ PROJECT: _____

CATALOG NUMBER:

MODEL LED SELECTION MOUNT CCT VOLTAGE FINISH OPTION OPTION



- 1- Performance Series
- 2- Corrosion resistant diecast aluminum housing
- 3- High efficiency LED light engine with acrylics optics
- 4- Clear tempered glass
- 5- All stainless steel hardware



MATERIALS

LT-1885 is made of aluminum diecast offering exceptional precision and durability. Features a high efficiency LED light engine.

ELECTRICAL

DRIVER : Standard driver is 0-10V dimming-ready (dims to 10%) with: 120-277 multi-volt compatibility (50-60Hz), operating temperature range of -40°C to +55°C/-40°F to +131°F, output over voltage protection, output over current protection and output short circuit protection with auto-recovery.

LED : Type II, III, IV or V light distribution via high performance optical lenses(And comfortable diffuse lenses). Offered in 2700K, 3000K, 3500K, 4000K. Optional true amber LED for turtle sensitive areas. Wavelengths: 585nm to 597nm

LIFE

60,000hrs $L_{70}B_{50}$ (based on LM-80 report for lumen maintenance)

FINISH

Five-stage preparation process includes preheating of cast aluminum parts for air extraction. Polyester powder coating is applied through an electrostatic process, and oven cured for long term finish.

MOUNTING

Several mounting options are offered with this product: catenary, wall mount, ceiling mount, pendant, post-top and pole mount.

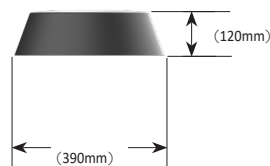
For SF mounting: Designed to fit on 60mm OD pole.

For PM-A mounting: Maximum length of lamp arm: 200mm.


For PM-B mounting: Designed to fit on 102mm OD pole(Maximum length of lamp arm: 200mm). For PM-C mounting: Designed for circular or square poles

For PT mounting: Designed for mounting on a circular pole with an outer diameter of 76 mm

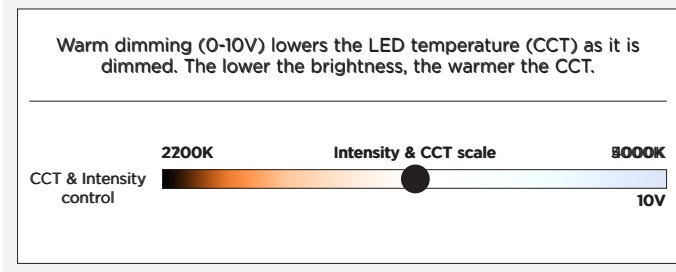
For STM, fixture must be installed on a finished ceiling for exterior applications and/or when exposed to inclement weather.



LUMINAIRE SELECTION

1 MODEL	2 LED LIGHT SELECTION (4000K/80CRI)	3 MOUNT	4 CCT	5 VOLTAGE	6 FINISH															
 <input type="checkbox"/> LT-1885	WHITE LED SELECTION <table border="1"> <thead> <tr> <th>SUFFIX</th> <th>DELIVERED LUMENS</th> <th>INPUT WATTS</th> </tr> </thead> <tbody> <tr> <td><input type="checkbox"/> LT-1885-30</td> <td>5040(168lm/w)</td> <td>30W</td> </tr> <tr> <td><input type="checkbox"/> LT-1885-50</td> <td>8400(168lm/w)</td> <td>50W</td> </tr> <tr> <td><input type="checkbox"/> LT-1885-70</td> <td>11270(161lm/w)</td> <td>70W</td> </tr> <tr> <td><input type="checkbox"/> LT-1885-90</td> <td>13230(147lm/w)</td> <td>90W</td> </tr> </tbody> </table>	SUFFIX	DELIVERED LUMENS	INPUT WATTS	<input type="checkbox"/> LT-1885-30	5040(168lm/w)	30W	<input type="checkbox"/> LT-1885-50	8400(168lm/w)	50W	<input type="checkbox"/> LT-1885-70	11270(161lm/w)	70W	<input type="checkbox"/> LT-1885-90	13230(147lm/w)	90W	<input type="checkbox"/> CK Ceiling <input type="checkbox"/> STM Pendant (stem) <input type="checkbox"/> XL Catenary <input type="checkbox"/> WM-B Wall mount <small>Delay arm can be customized up to 300mm</small> <input type="checkbox"/> WM-A Wall mount <small>(Waterproof mounting box with 4 1/2" conduit inlets)</small> <input type="checkbox"/> PM-A Pole mount <small>(U-shaped support arm can be extended up to 300mm)</small> <input type="checkbox"/> PM-B Pole mount <small>(For φ 102mm pole flange mounting)</small> <input type="checkbox"/> PM-C Pole mount <small>(Suitable for circular or square poles)</small> <input type="checkbox"/> SF Slip Fitter <small>(For φ 60mm round pole, adjustable clamp)</small> <input type="checkbox"/> PT Post Top mount <small>(For φ 76mm circular pole)</small>	TEMPERATURE* <input type="checkbox"/> K27 2700K <input type="checkbox"/> K30 3000K <input type="checkbox"/> K35 3500K <input type="checkbox"/> K40 4000K <input type="checkbox"/> K50 5000K	STANDARD <input type="checkbox"/> 120V <input type="checkbox"/> 208V <input type="checkbox"/> 240V <input type="checkbox"/> 277V OPTIONAL <input type="checkbox"/> 347V <input type="checkbox"/> 480V	STANDARD COLORS <input type="checkbox"/> WHT WHITE(RAL9003) <input checked="" type="checkbox"/> BLK BLACK(RAL9005) <small>(Standard configuration)</small> <input type="checkbox"/> BRZ BRONZE(RAL8019) <input type="checkbox"/> GHG GRAPHITE GREY(RAL7024) <input type="checkbox"/> SAS SAND SILVER(RAL9006) <input type="checkbox"/> MSG Matte Silver Grey(RAL9023)
SUFFIX	DELIVERED LUMENS	INPUT WATTS																		
<input type="checkbox"/> LT-1885-30	5040(168lm/w)	30W																		
<input type="checkbox"/> LT-1885-50	8400(168lm/w)	50W																		
<input type="checkbox"/> LT-1885-70	11270(161lm/w)	70W																		
<input type="checkbox"/> LT-1885-90	13230(147lm/w)	90W																		

WARM DIMMING



OPTIONS

SURGE PROTECTOR <input type="checkbox"/> SP 10kV surge protector	PHOTOCELL <input type="checkbox"/> PH7 ⁶ NEMA C136.41 7-PIN receptacle with photocell sensor preinstalled <input type="checkbox"/> PHSC ⁶ NEMA C136.41 7-PIN receptacle with shorting cap preinstalled	MOTION SENSOR <input type="checkbox"/> MS ⁷ Motion sensor module, mounted on pole 270° coverage. (Black or white) will be selected to best match fixture color.
--	---	--

HS
HS House side shield. Field installable. Not available for type V.

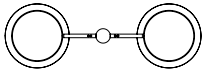


PH3
3-PIN receptacle with Photocell option mounted on top of the fixture housing as shown.

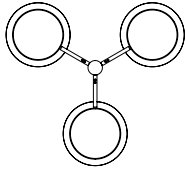
MULTIPLE LUMINAIRE MOUNTINGS

These following 5 configurations are for reference only. They must be selected with the pole.

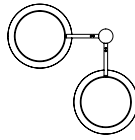
To specify these assemblies: Fixture quantity should be total number of fixture heads.



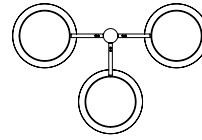
PO2-180
Twin mount
180° offset
Installation on
4" and 5" poles



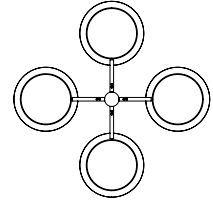
PO3-120
Triple mount
120° offset
Installation on
4" and 5" poles



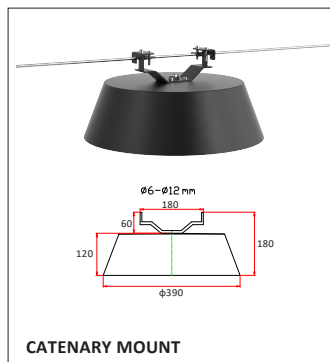
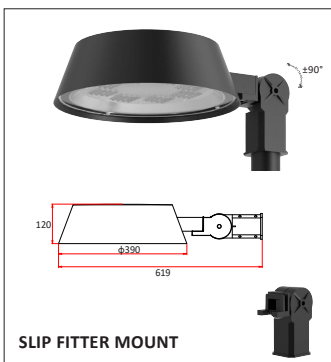
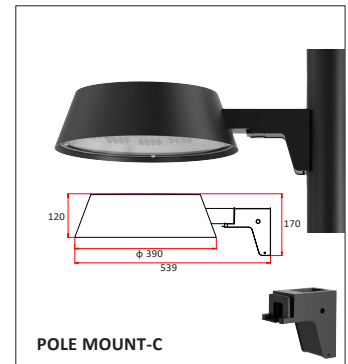
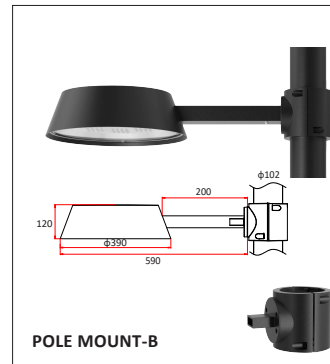
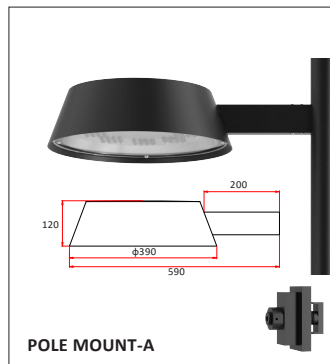
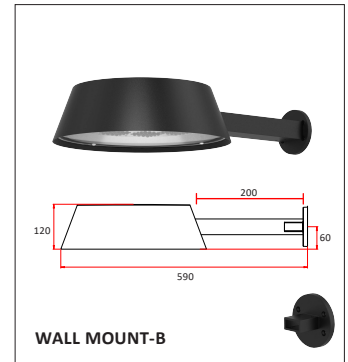
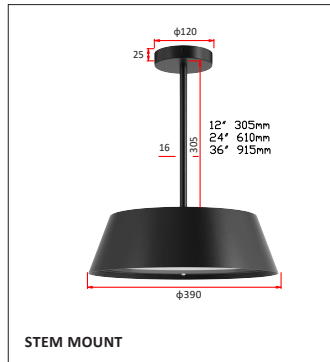
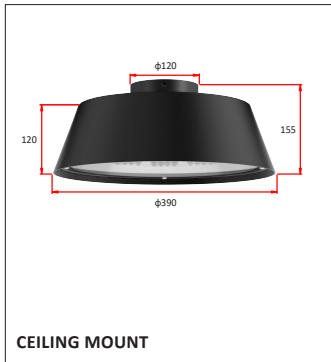
POM2-90
"L" mount
90° offset
Installation on
4" and 5" poles



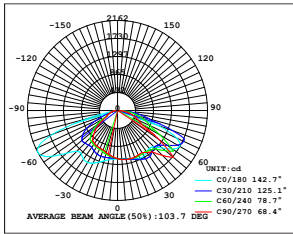
POM3-90
Triple mount
90° offset mounting
Installation on
4" and 5" poles



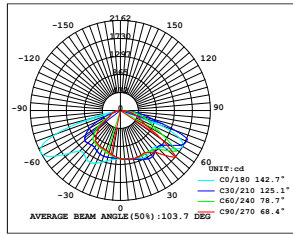
POM4-90
Quad mount
Installation on
4" and 5" poles



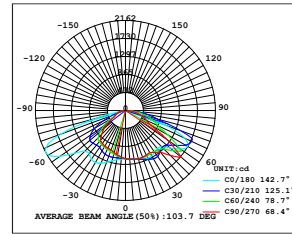
TYPE II



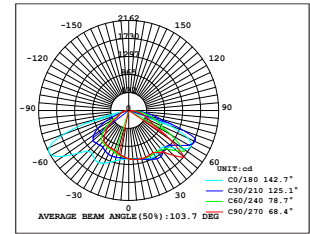
LT-1885-30W-TYPE II
 Total Lms: 4980 Lumens
 Total input watts: 30W
 Efficacy: 166 Lumens/Watt
 CCT/CRI: 5000K CRI>70
 Fwhm: 45°*140°



LT-1885-50W-TYPE II
 Total Lms: 8400 Lumens
 Total input watts: 50W
 Efficacy: 168 Lumens/Watt
 CCT/CRI: 5000K CRI>70
 Fwhm: 45°*140°

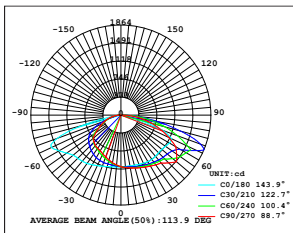


LT-1885-70W-TYPE II
 Total Lms: 11270 Lumens
 Total input watts: 70W
 Efficacy: 161 Lumens/Watt
 CCT/CRI: 5000K CRI>70
 Fwhm: 45°*140°

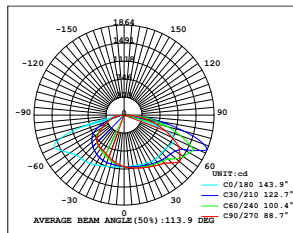


LT-1885-90W-TYPE II
 Total Lms: 13230 Lumens
 Total input watts: 90W
 Efficacy: 147 Lumens/Watt
 CCT/CRI: 5000K CRI>70
 Fwhm: 45°*140°

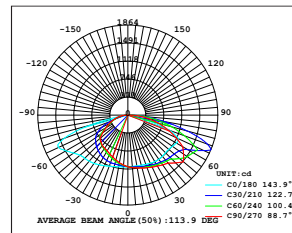
TYPE III



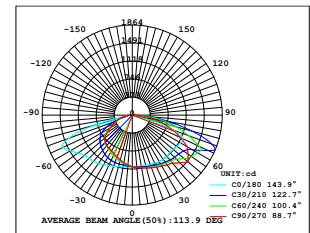
LT-1885-30W-TYPE III
 Total Lms:5100 Lumens
 Total input watts: 30W
 Efficacy: 170 Lumens/Watt
 CCT/CRI: 5000K CRI>70
 Fwhm: 60°*155°



LT-1885-50W-TYPE III
 Total Lms: 8700 Lumens
 Total input watts: 50W
 Efficacy: 174 Lumens/Watt
 CCT/CRI: 5000K CRI>70
 Fwhm: 60°*155°

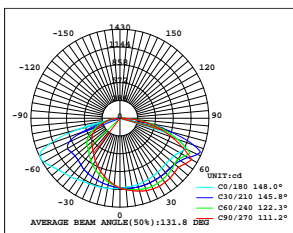


LT-1885-70W-TYPE III
 Total Lms:11620 Lumens
 Total input watts: 70W
 Efficacy: 166 Lumens/Watt
 CCT/CRI: 5000K CRI>70
 Fwhm: 60°*155°

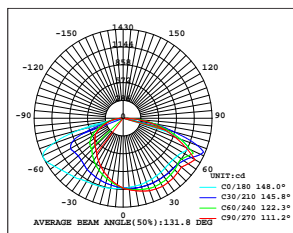


LT-1885-90W-TYPE III
 Total Lms: 14220 Lumens
 Total input watts: 90W
 Efficacy: 158 Lumens/Watt
 CCT/CRI: 5000K CRI>70
 Fwhm: 60°*155°

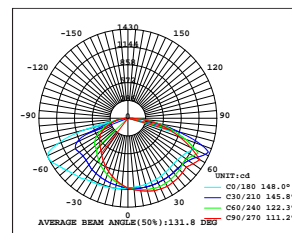
TYPE IV



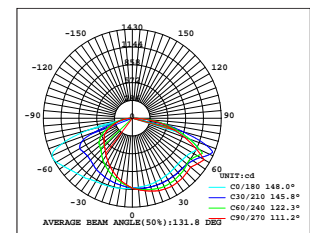
LT-1885-30W-TYPE IV
 Total Lms: 4890 Lumens
 Total input watts: 30W
 Efficacy:163 Lumens/Watt
 CCT/CRI: 5000K CRI>70
 Fwhm: 70°*160°



LT-1885-50W-TYPE IV
 Total Lms: 8300 Lumens
 Total input watts: 50W
 Efficacy: 166 Lumens/Watt
 CCT/CRI: 5000K CRI>70
 Fwhm: 70°*160°

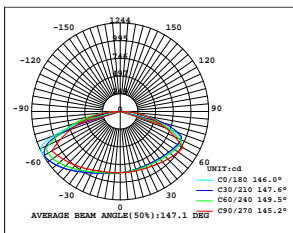


LT-1885-70W-TYPE IV
 Total Lms: 11130 Lumens
 Total input watts: 70W
 Efficacy:159 Lumens/Watt
 CCT/CRI: 5000K CRI>70
 Fwhm: 70°*160°

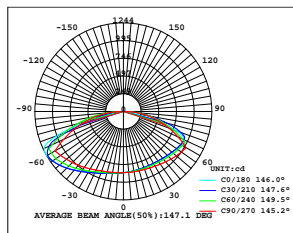


LT-1885-90W-TYPE IV
 Total Lms: 13680 Lumens
 Total input watts: 90W
 Efficacy: 152 Lumens/Watt
 CCT/CRI: 5000K CRI>70
 Fwhm: 70°*160°

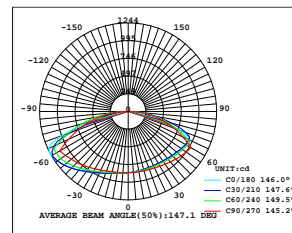
TYPE V



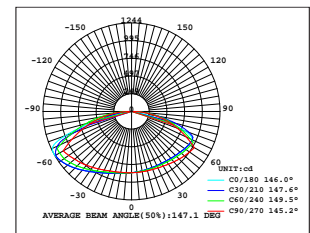
LT-1885-30W-TYPE V
 Total Lms: 4650 Lumens
 Total input watts: 30W
 Efficacy: 155 Lumens/Watt
 CCT/CRI: 5000K CRI>70
 Fwhm: 150°



LT-1885-50W-TYPE V
 Total Lms: 7950 Lumens
 Total input watts: 50W
 Efficacy: 159 Lumens/Watt
 CCT/CRI:5000K CRI>70
 Fwhm: 150°



LT-1885-70W-TYPE V
 Total Lms: 10640 Lumens
 Total input watts: 70W
 Efficacy: 152 Lumens/Watt
 CCT/CRI:5000K CRI>70
 Fwhm: 150°



LT-1885-90W-TYPE V
 Total Lms: 12960 Lumens
 Total input watts: 90W
 Efficacy: 144 Lumens/Watt
 CCT/CRI:5000K CRI>70
 Fwhm: 150°