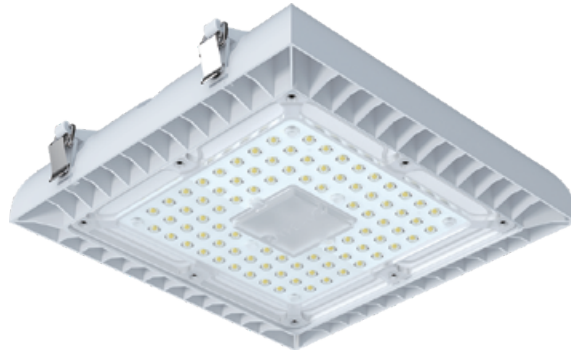


LED Parking Garag and Canopy Luminaire

Installation Instructions



IMPORTANT

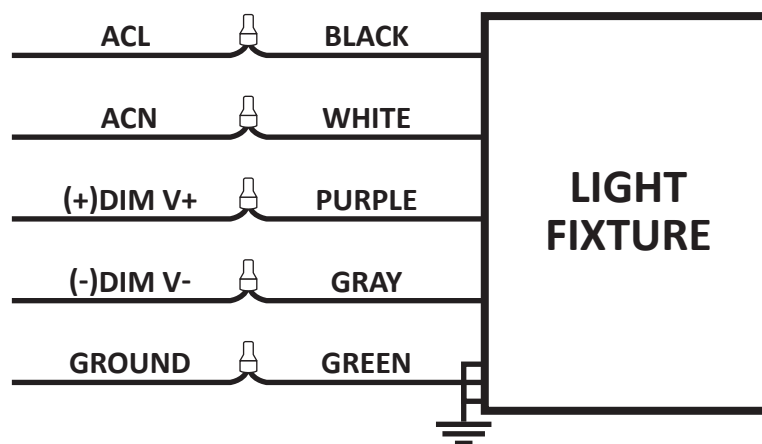
**IMPORTANT: READ INSTUCTIONS CAREFULLY BEFORE INSTALLING.
KEEP THESE INSTRUCTIONS FOR FUTURE REFERENCE.**

- CAUTION: DO NOT USE ELECTRIC GENERATOR TO TEST THE LED FIXTURE.
- CAUTION: TO AVOID ELECTRICAL SHOCK AND DAMAGE, PLEASE DO NOT INSTALL WHEN RAINING.
- WARNING: TO PREVENT ELECTRIC SHOCK OR RISK OF FIRE, THE INSTALLATION MUST BE COMPLETED BY OPERATOR WITH PROFESSIONAL ELECTRICAL KNOWLEDGE.
- WARNING: PLEASE WEAR GLOVES TO AVOID INJURY DURING INSTALLATION.
- WARNING: DURING OR AFTER INSTALLATION, IF THERE ARE SITUATIONS SUCH AS SMOKE OR FIRE IN THE WIRES OR FIXTURES, PLEASE TURN OFF POWER IMMEDIATELY AND CONTACT A QUALIFIED ELECTRICIAN.
- SUITABLE FOR OUTDOOR USE.
- MIN 75°C (167°F) SUPPLY CONDUCTOR.
- THIS PRODUCT MUST BE INSTALLED IN ACCORDANCE WITH THE APPLICABLE INSTALLATION CODE BY A PERSON FAMILIAR WITH THE CONSTRUCTION AND OPERATION OF THE PRODUCT AND THE HAZARDS INVOLVED.

WIRING DIRECTIONS

3 DIFFERENT DIMMING FUNCTIONS ARE AVAILABLE IN THIS LIGHT FIXTURE:

1. Constant current can be achieved by 1-10V DC dimming.
2. PWM signal dimming.
3. Variation of resistance unit dimming.



Note: Do not connect DIM V+ (purple)/ DIM V- (gray) to line voltage or supply ground.

LED Parking Garag and Canopy Luminaire

Installation Instructions

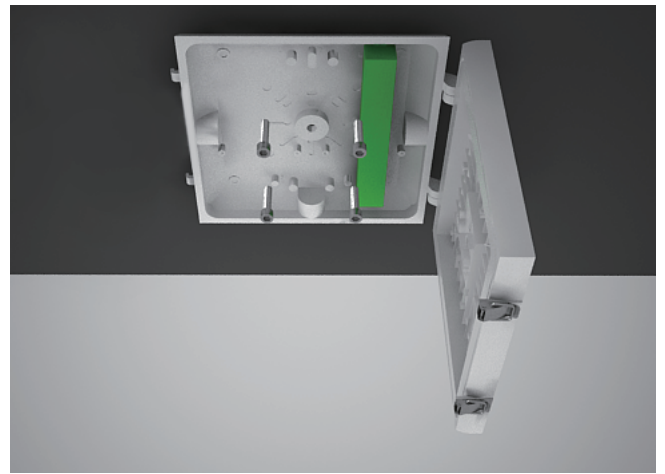
INSTALLATION

Surface-Mount without Bracket

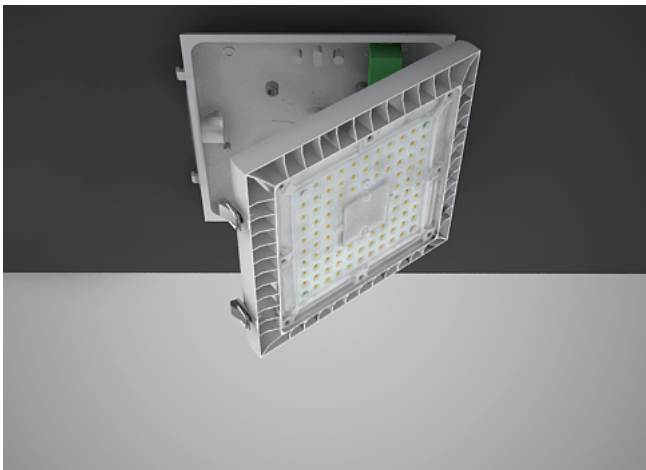
1. Unlock the buckles to open the lamp and divide the back fixture from the front fixture.
2. Fix the back fixture onto the Junction box. Drill the holes necessary as figure shows.
3. Put the wires through the center hole and connect the wires of driver as figure shows.
4. Combine together the lamp and connect the positive and negative wires of driver with the orange connector. Lock the buckles to close the lamp.



①



②



③



④

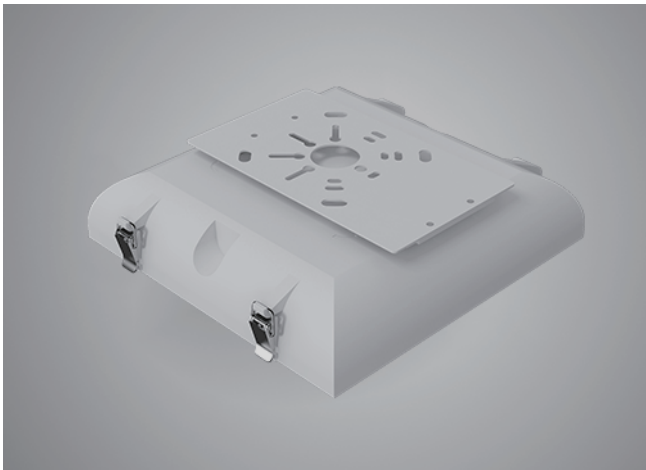
LED Parking Garag and Canopy Luminaire

Installation Instructions

INSTALLATION

Surface-mount with J-box Plate

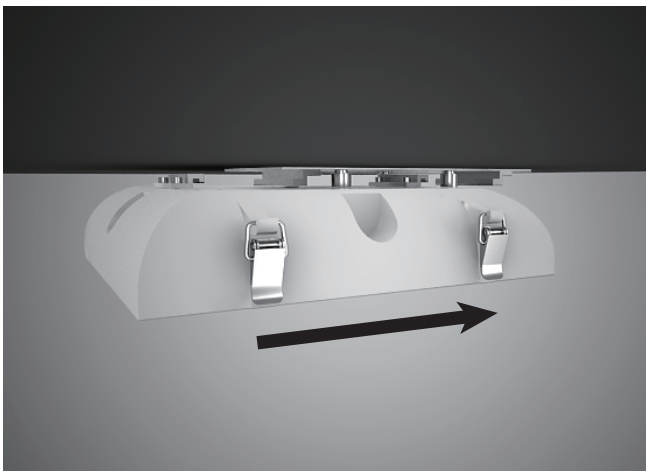
1. Fix the connecting plate onto the Junction box and put the wire through center hole.
2. Buckle the connecting plate into the clips and connect the wires as following shows
3. Slide lamp back into the connecting plate



①



②



③



④

LED Parking Garag and Canopy Luminaire

Installation Instructions

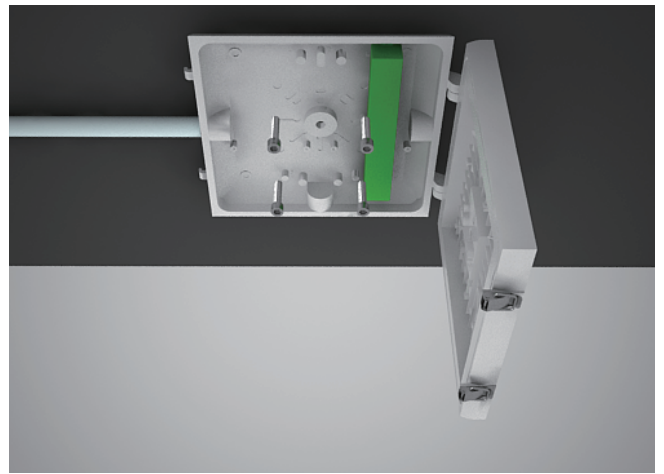
INSTALLATION

Surface-Mount with Side-wiring

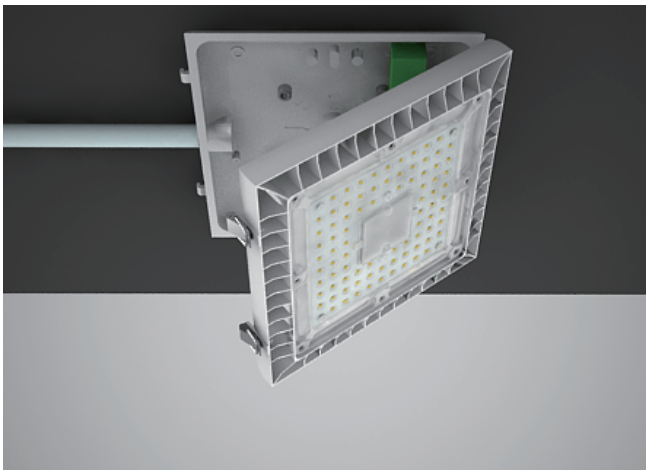
- 1.Unlock the buckles to open the lamp and divide the back fixture from the front fixture.
- 2.Fix the back fixture onto the ceiling. Remove the 1/2" screw nut against the direction that intended to connect the conduit. Insert the conduit into back fixture and connect the wires.
3. Combine together the lamp and connect the positive and negative wires of driver with the orange connector. Lock the buckles to close the lamp.



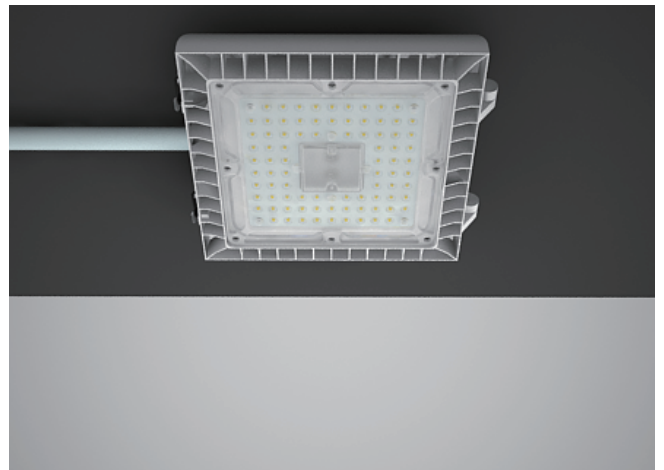
①



②



③



④

LED Parking Garag and Canopy Luminaire

Installation Instructions

INSTALLATION

Pendant Mount with 1/2" Conduit

- 1.Unlock the buckles to open the lamp and divide the back fixture from the front fixture.
- 2.Insert the 1/2" plug into the center hole of the back fixture and connect the wires as follow figure. Screw the back fixture and conduit pole together tightly.
- 3.Combine together the lamp and connect the positive and negative wires of driver with the orange connector. Lock the buckles to close the lamp.



①



②



③

LED Parking Garag and Canopy Luminaire

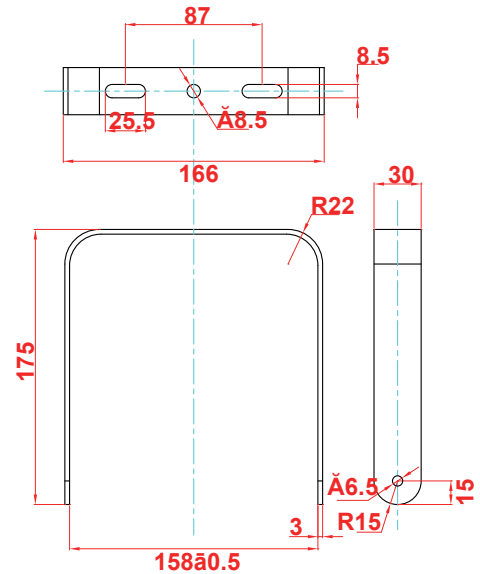
Installation Instructions



LI-TIAN LIGHTING

INSTALLATION

Trunnion Mount



IMPORTANT

Do not attempt to service the LED driver for reduce the risk of electric shock. The use of accessory equipment may cause an unsafe condition. Do not use this product for other than intended use. Refer any servicing indicated by these checks to a Qualified Service Personnel.

CLEANING

CAUTION: Be sure fixture temperature is cool enough to touch. Do not clean or maintain while fixture is energized.

1. Lens should be washed in a solution of warm water and any mild, non abrasive household detergent, rinsed with clean water and wiped dry. Do not use chemicals to clean fixture.
2. Do not open fixture to clean the LED. Do not touch the LED.

TROUBLESHOOTING

1. Check that the line voltage at fixture is correct. Refer to wiring directions.
2. Be sure the fixture is grounded properly.