

LED Outdoor Security Light

LT-VR-W-015/020 Installation Instructions



LI-TIAN LIGHTING



IMPORTANT

READ CAREFULLY BEFORE INSTALLING FIXTURE. RETAIN THESE INSTRUCTIONS FOR FUTURE REFERENCE.

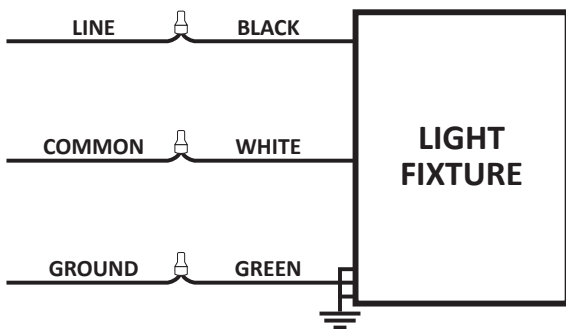
Fixtures must be wired in accordance with the National Electrical Code and all applicable local codes. Proper grounding is required for safety. THIS PRODUCT MUST BE INSTALLED IN ACCORDANCE WITH THE APPLICABLE INSTALLATION CODE BY A PERSON FAMILIAR WITH THE CONSTRUCTION AND OPERATION OF THE PRODUCT AND THE HAZARDS INVOLVED.

WARNING: Make certain power is OFF before installing or maintaining fixture. No user serviceable parts inside.

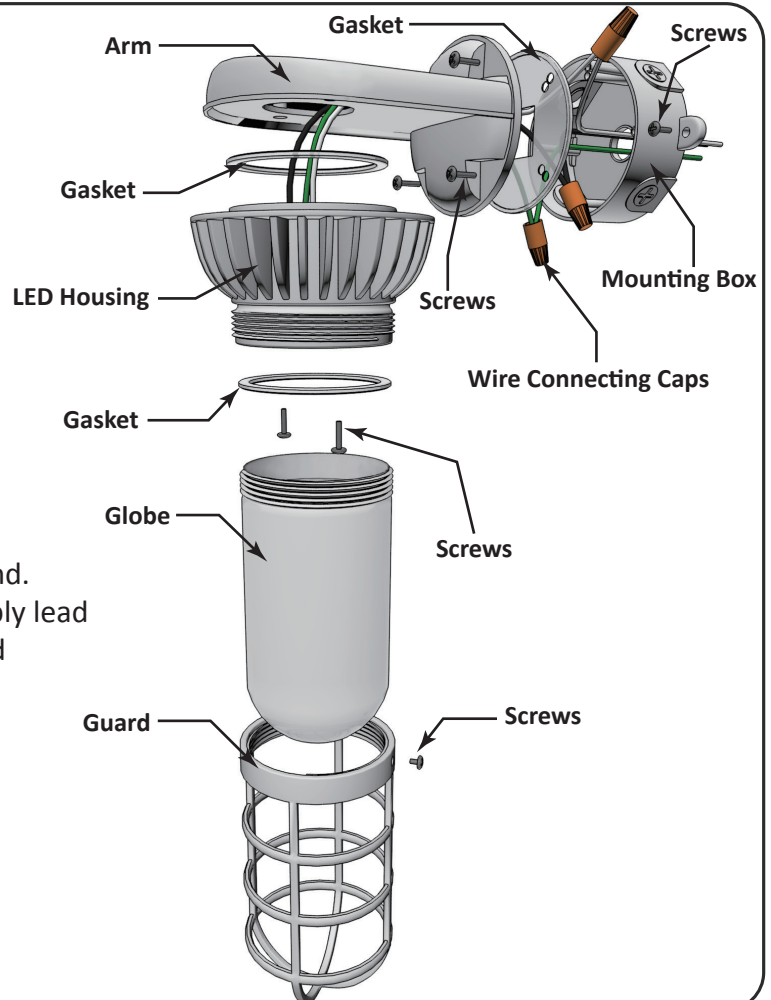
INSTALLATION PREVIEW

ON-OFF WIRING METHOD:

Universal voltage driver permits operation at 120V through 277V, 50 or 60HZ.



Connect the GROUND wire from fixture to supply ground.
Connect the white fixture lead to the (-)COMMON supply lead
Connect the black fixture lead to the (-)LINE supply lead



LED Outdoor Security Light

LT-VR-W-015/020 Installation Instructions

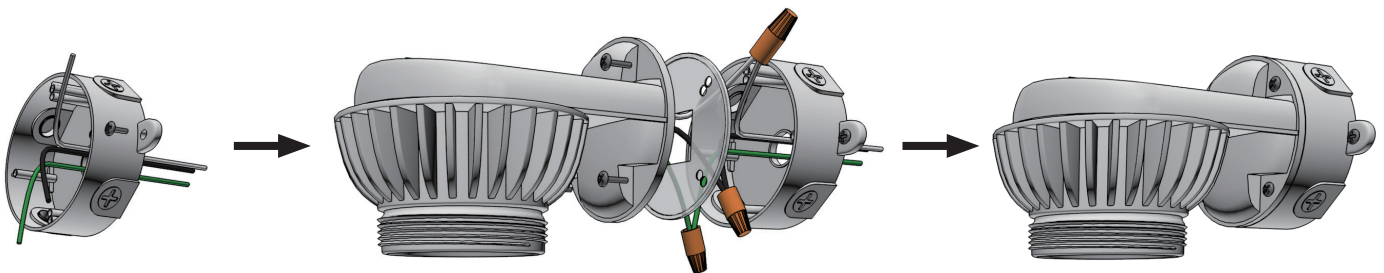


LI-TIAN LIGHTING

INSTALLATION STEPS

WALL MOUNT VERSION

1. CAUTION – DO NOT TOUCH THE LED.
2. Secure mounting box using two tabs to junction box or wall using appropriate hardware (by others) for the surface. If mounting to a junction box, apply silicon sealant around where mounting box and junction box meet to ensure a watertight seal.
3. Remove four screws holding arm/LED housing assembly to mounting box.
4. Remove silicon rubber gasket to gain access to mounting box.
5. Make electrical connections. Supply wires can be brought into mounting box either through end opening or through conduit into any of four ½" threaded hubs. If surface mount conduit is used, apply silicon to ensure a watertight seal.
 - a) Connect hot supply wire to black wire on LED driver.
 - b) Connect neutral supply wire to white wire on LED driver.
 - c) Connect ground supply wire to green ground screw in mounting box.
6. Reinstall silicon rubber gasket to mounting box.
7. Reattach arm/LED housing assembly to mounting box using four screws.
8. Install glass globe onto LED housing until silicon rubber gasket in LED housing is compressed. Do not over-tighten.
9. Install die cast guard onto LED housing and tighten set screw.
10. Turn on power.

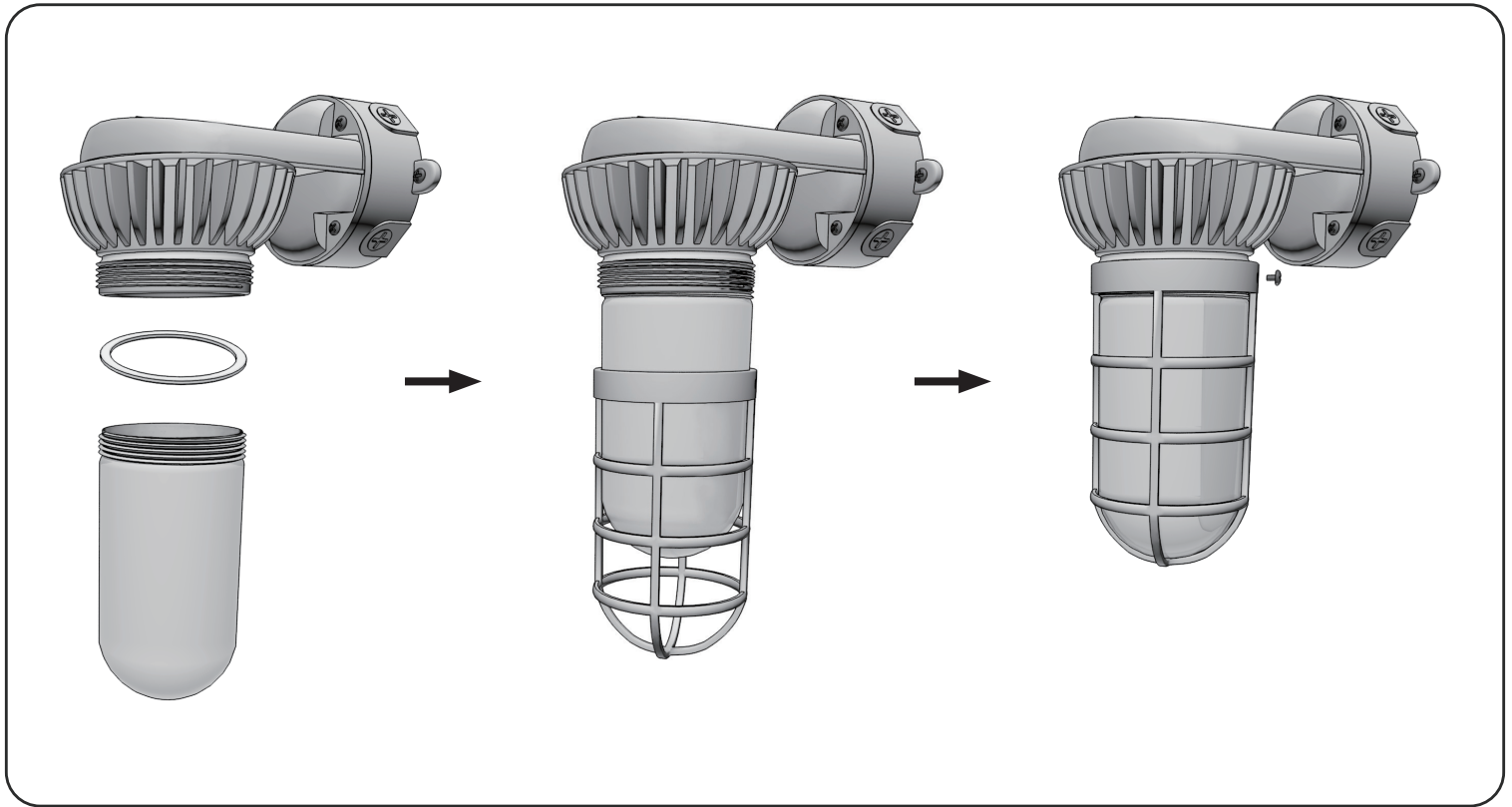


LED Outdoor Security Light

LT-VR-W-015/020 Installation Instructions



LI-TIAN LIGHTING



Note: These instructions do not cover all details or variations in equipment nor do they provide for every possible situation during installation, operation or maintenance.

IMPORTANT

Do not attempt to service the LED driver for reduce the risk of electric shock. The use of accessory equipment may cause an unsafe condition. Do not use this product for other than intended use. Refer any servicing indicated by these checks to a Qualified Service Personnel.

CLEANING

CAUTION: Be sure fixture temperature is cool enough to touch. Do not clean or maintain while fixture is energized.

1. Lens should be washed in a solution of warm water and any mild, non abrasive household detergent, rinsed with clean water and wiped dry. Do not use chemicals to clean fixture.
2. Do not open fixture to clean the LED. Do not touch the LED.

TROUBLESHOOTING

1. Check that the line voltage at fixture is correct. Refer to wiring directions.
2. Be sure the fixture is grounded properly.