

- Best-in-class energy efficiency
- Many output levels
- Wireless controls
- Virtually maintenance free
- Innovative retrofit options to replace out-dated fixtures
- Comfortable, safe lighting
- Smart styling complements facility
- Motion control available

Driver Info

Type:	Constant Current
Voltage:	AC120-277V AC347-480V
Input Watts:	100W
Efficiency:	96%

LED Info

Watts:	100W
Color Temp:	3000K-5700K
Color Accuracy:	>70
L70 Lifespan:	100000
Lumens:	14000
Efficacy:	140 LPW

Technical Specifications

Listings

cETL Listing:

Suitable for wet locations.

DLC Listed:

This product is on the Design Lights Consortium (DLC) Qualified Products List and is eligible for rebates from DLC Member Utilities.

IESNA LM-79 & IESNA LM-80 Testing:

Li-Tian LED luminaires have been tested by an independent laboratory in accordance with IESNA LM-79 and 80.

Electrical

Driver:

Constant Current, Class I, 277V, 50/60 Hz, 277V:0.26A

THD:

10%

Power Factor:

92.3% at 277V

Dimming Driver:

Driver includes dimming control wiring for 0-10V dimming systems. Requires separate 0-10V DC dimming circuit. Dims as low as 10%.

Surge Protection:

6KV

LED Characteristics

Lifespan:

100,000-hour LED lifespan based on IES LM-80 results and TM-21 calculations.

LEDs:

Long-life, high-efficiency surface mounting LEDs(cree3030).

Color Stability:

LED color temperature is warrantied to shift no more than 200K in CCT over a 5 year period.

Color Uniformity:

Li-Tian's range of CCT (Correlated Color Temperature) follows the guidelines of the American National Standard for Specifications for the Chromaticity of Solid State Lighting (SSL) Products, ANSI C78.377-2017.

Construction

IES Classification:

Can choose Type II, Type III, Type IV, Type V. The Type III distribution is meant for lighting large areas, located by the roadside. Typically found on wide walkways, on ramps, entrance roadways and bike paths.

Effective Projected Area:

EPA = 0.8

Vibration Rating:

Industry-leading 3G vibration rating per ANSI C136.31

Cold Weather Starting:

Minimum starting temperature is -40°C (-40°F)

Ambient Temperature:

Suitable For use in 40°C (104°F) ambient temperatures.

Housing:

Precision die-cast aluminum housing.

Mounting:

Mounts to all square and round poles if optional Universal Pole Adaptor is used.

Lens:

Clear Polycarbonate lens with integrated optics.

IP Rating:

Ingress Protection rating of IP66 for dust and water.

Gaskets:

High temperature silicone gaskets.

Finish:

Formulated for high-durability and long lasting color.

Green Technology:

Mercury and UV free. RoHS compliant components. Polyester powder coat finish formulated without the use of VOC or toxic heavy metals.

Light induction (Optional):

Extra photocell sensor available, Motion Sensor

Other

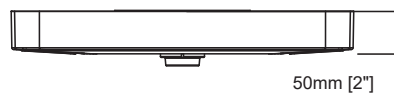
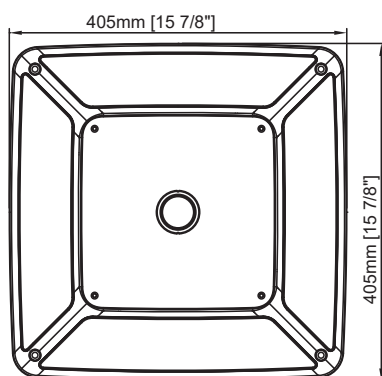
5 Yr Limited Warranty:

Fixture operation and paint finish are covered for a period of 5 years.

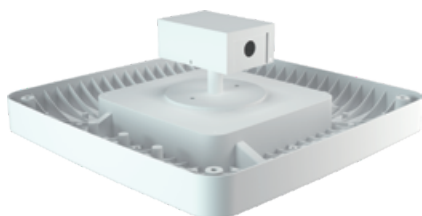
LTC-100W

Dimensions

unit:mm



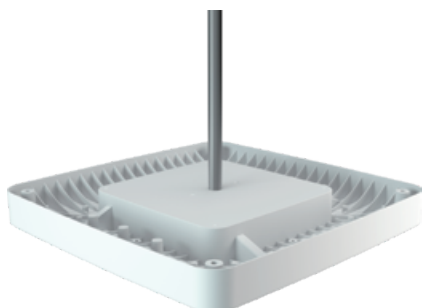
Installation



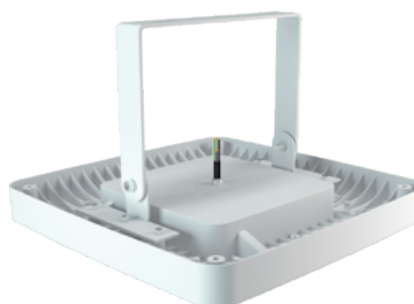
Junction Box Kit



Surface Mount



Pendant Mount



U Bracket mounting

Learn More

Tel: +86-760-23757187

Fax: +86-760-23757185

Website: www.ilitianled.com

ADD: Block B 4/F, No.2 Yihui 2nd Road Maohui Industry, Sisha, Henglan Town, Zhongshan City, Guangdong Province, China.